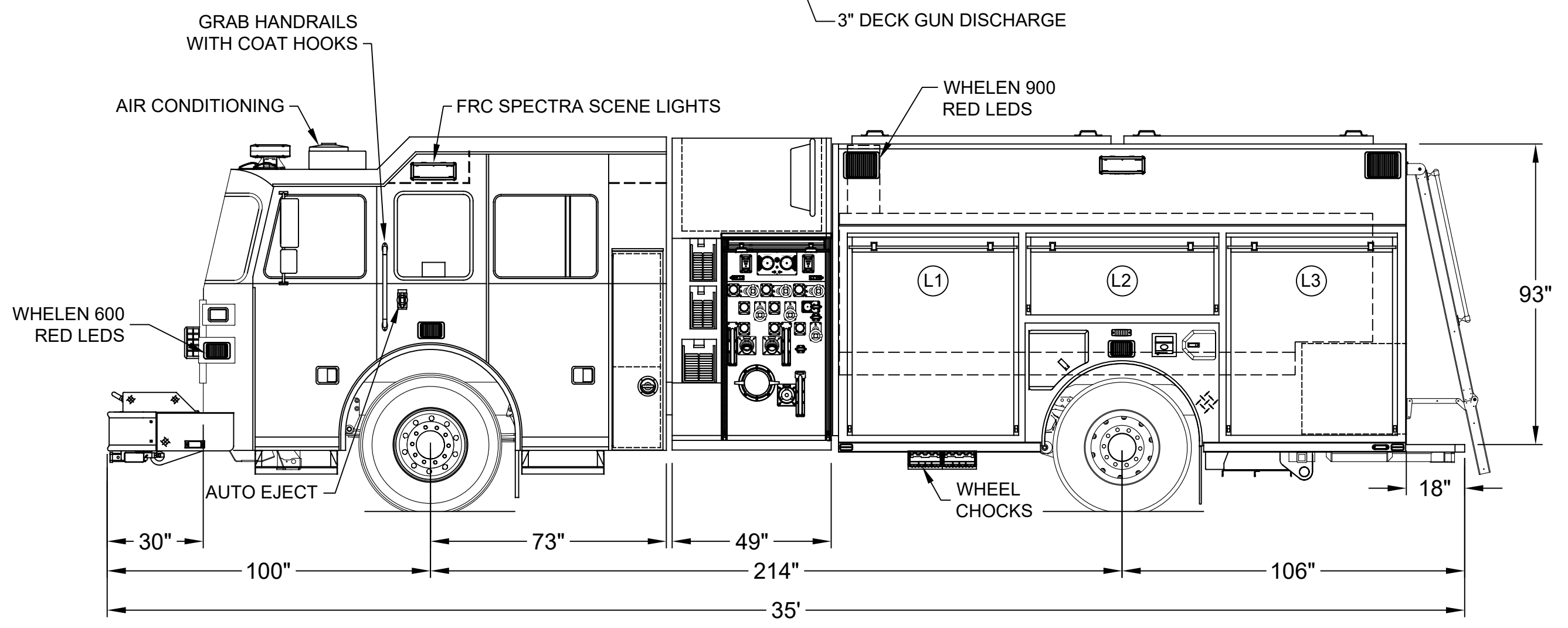
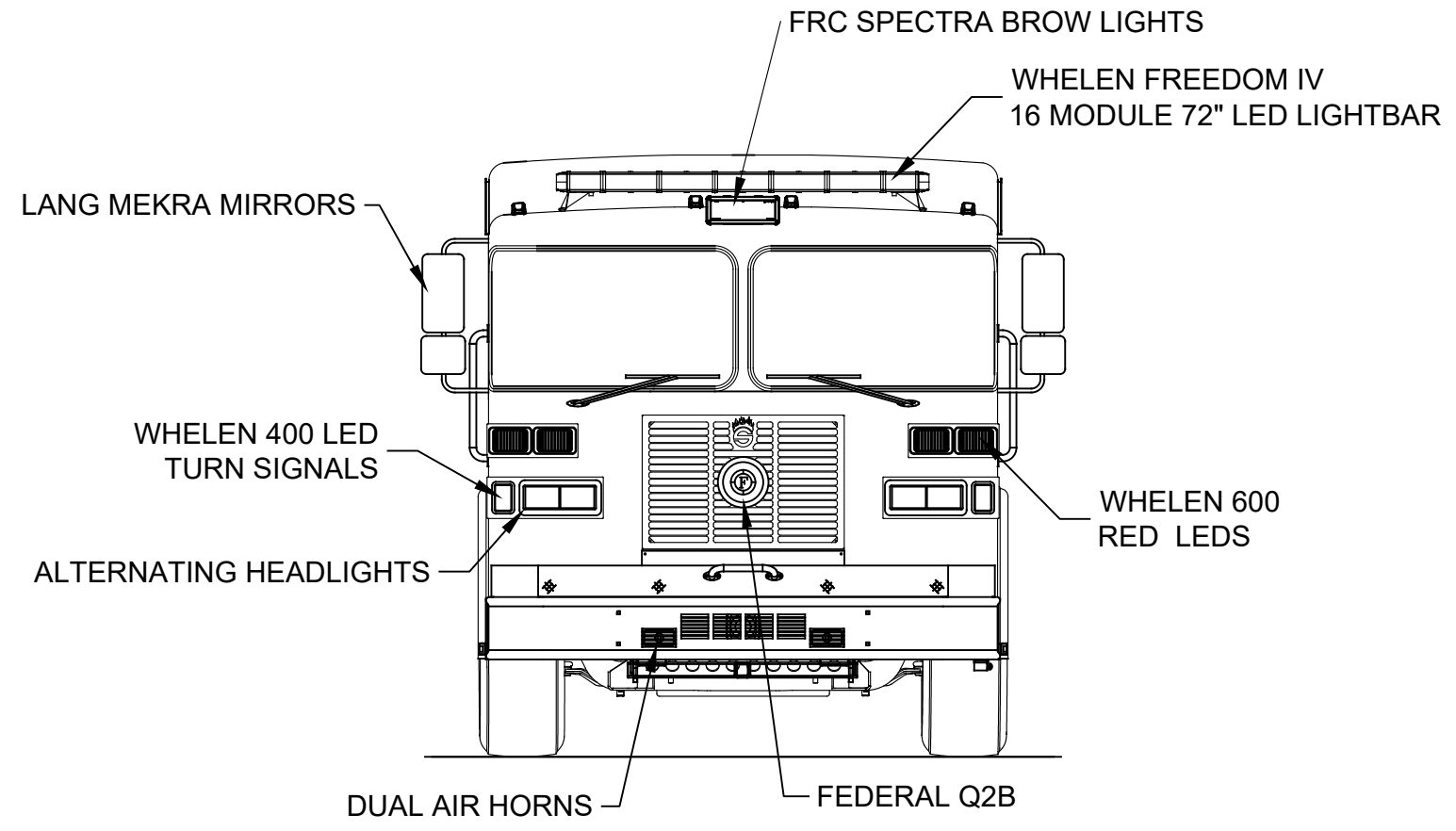
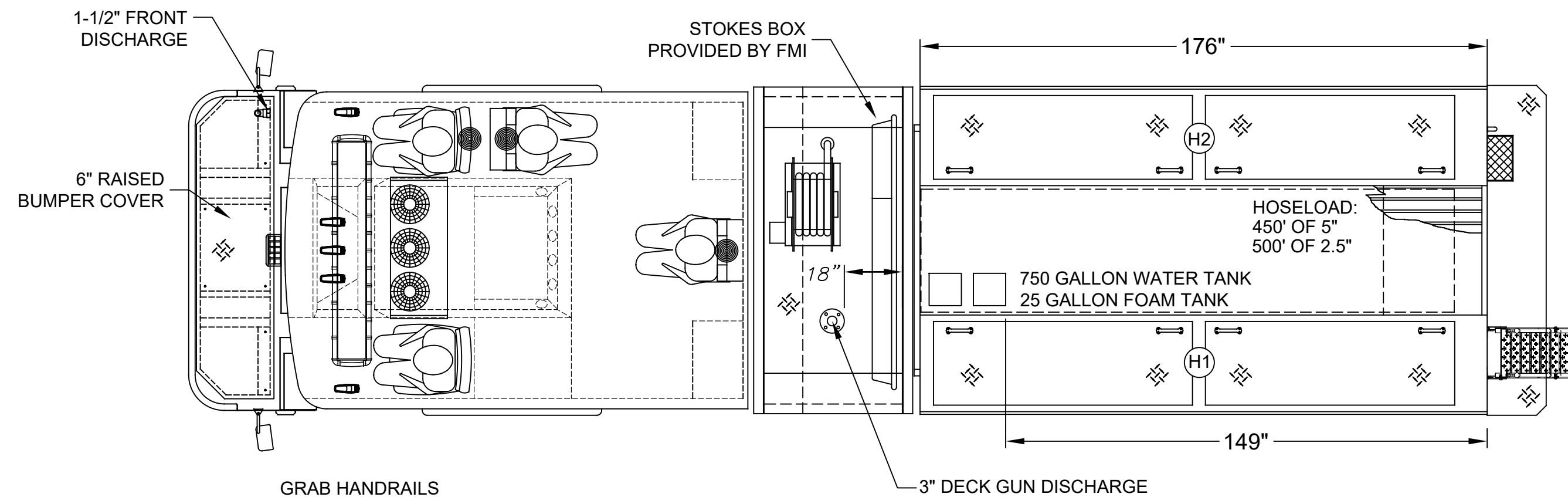


LEFT SIDE COMPARTMENTS				
COMPT	DOORS	OPENING DIMENSIONS	INSIDE DIMENSIONS	VOLUME
L1	ROLL-UP	50.5" w X 57.4" h	56.1" w X 66" h X 27.3" d	58.5 CU. FT.
L2	ROLL-UP	57.5" w X 20.2" h	61.6" w X 28.8" h X 27.3" d	28.0 CU. FT.
L3	ROLL-UP	50.5" w X 57.4" h	52.4" w X 66" h X 27.3" d	55.7 CU. FT.
H1	LIFT-UP	(2) 23.25" l X 73.25" w	174.7" w X 24.8" h X 29.2" d	73.2 CU. FT.

RIGHT SIDE COMPARTMENTS				
COMPT	DOORS	OPENING DIMENSIONS	INSIDE DIMENSIONS	VOLUME
R1	ROLL-UP	50.5" w X 57.4" h	56.1" w X 66" h X 27.3" d	58.5 CU. FT.
R2	ROLL-UP	57.5" w X 20.2" h	61.6" w X 28.8" h X 27.3" d	28.0 CU. FT.
R3	ROLL-UP	50.5" w X 57.4" h	52.4" w X 66" h X 27.3" d	55.7 CU. FT.
H2	LIFT-UP	(2) 23.25" l X 73.25" w	174.7" w X 24.8" h X 29.2" d	73.2 CU. FT.

REAR STEP COMPARTMENT				
COMPT	DOORS	OPENING DIMENSIONS	INSIDE DIMENSIONS	VOLUME
A1	ROLL-UP	37.5" w X 20.8" h	28" h X 40" w X 31" d	20.1 CU. FT.

TOTAL: 451.0 CU.FT.



DIMENSIONS SHOWN ON THIS DRAWING ARE APPROXIMATE AND ARE SUBJECT TO MINOR DEVIATIONS DURING CONSTRUCTION.

IN THE EVENT OF A DISCREPANCY BETWEEN THE SUTPHEN SPECIFICATIONS AND DRAWING, THE SUTPHEN SPECIFICATIONS SHALL PREVAIL.

DRAWING IS FOR REFERENCE ONLY. SOME ITEMS PROPOSED MAY NOT BE SHOWN OR NOTED.

CUSTOMER APPROVAL

NAME: _____

TITLE: _____

DATE: _____

REV.	DESCRIPTION	BY	DATE
B	UPDATED DRAWING PER CUSTOMER CHANGES	JDH	11/28/18
A	UPDATED DRAWING PER CUSTOMER CHANGES	JDH	11/12/18

DRAWN BY:
J.HOWELL

DATE:
11/2/18

MFG. FACILITY:
DUBLIN

SPRINGFIELD FIRE DEPARTMENT
SPRINGFIELD, OH

CUSTOM PUMPER - PA-16 BODY
SPRINGFIELD, OH (2018 PA-16).DWG