

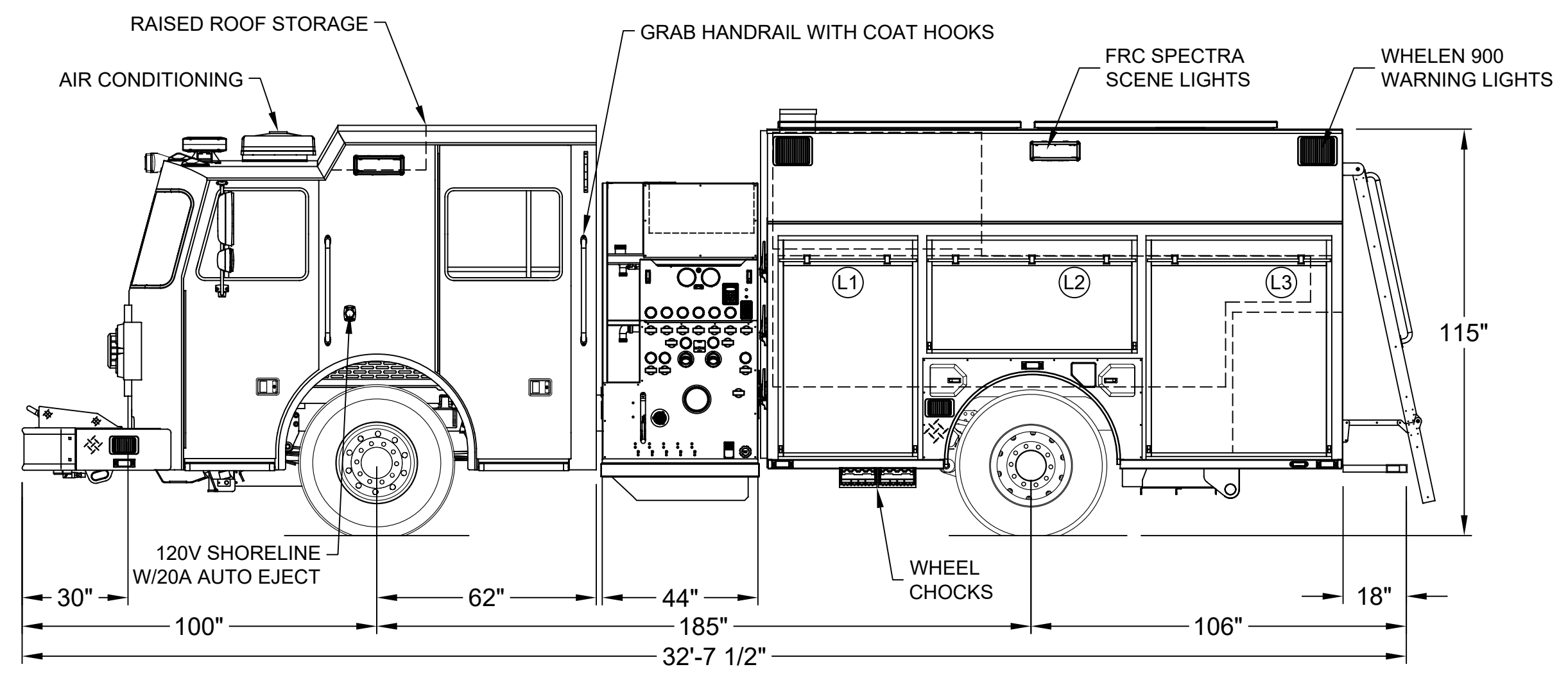
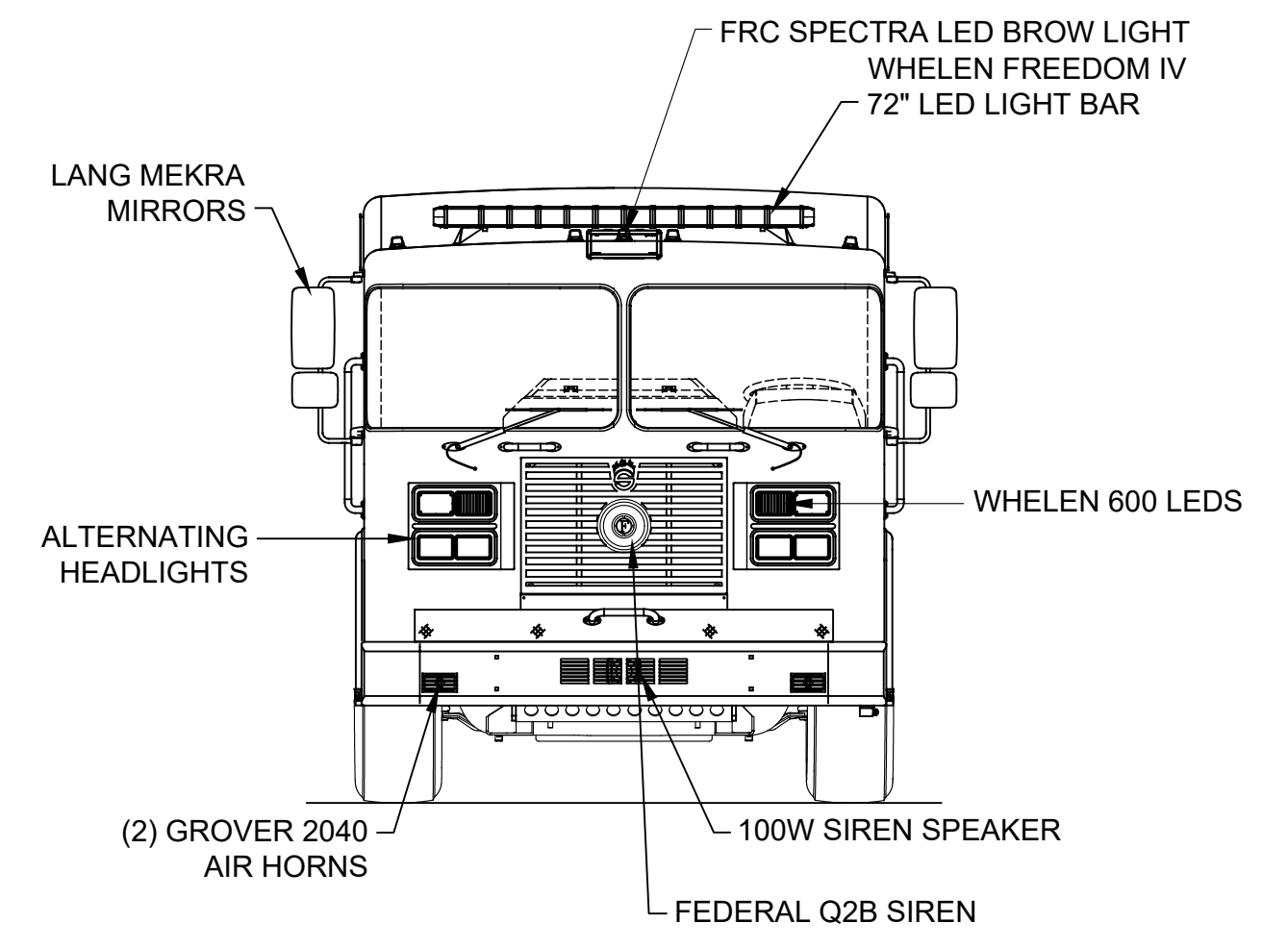
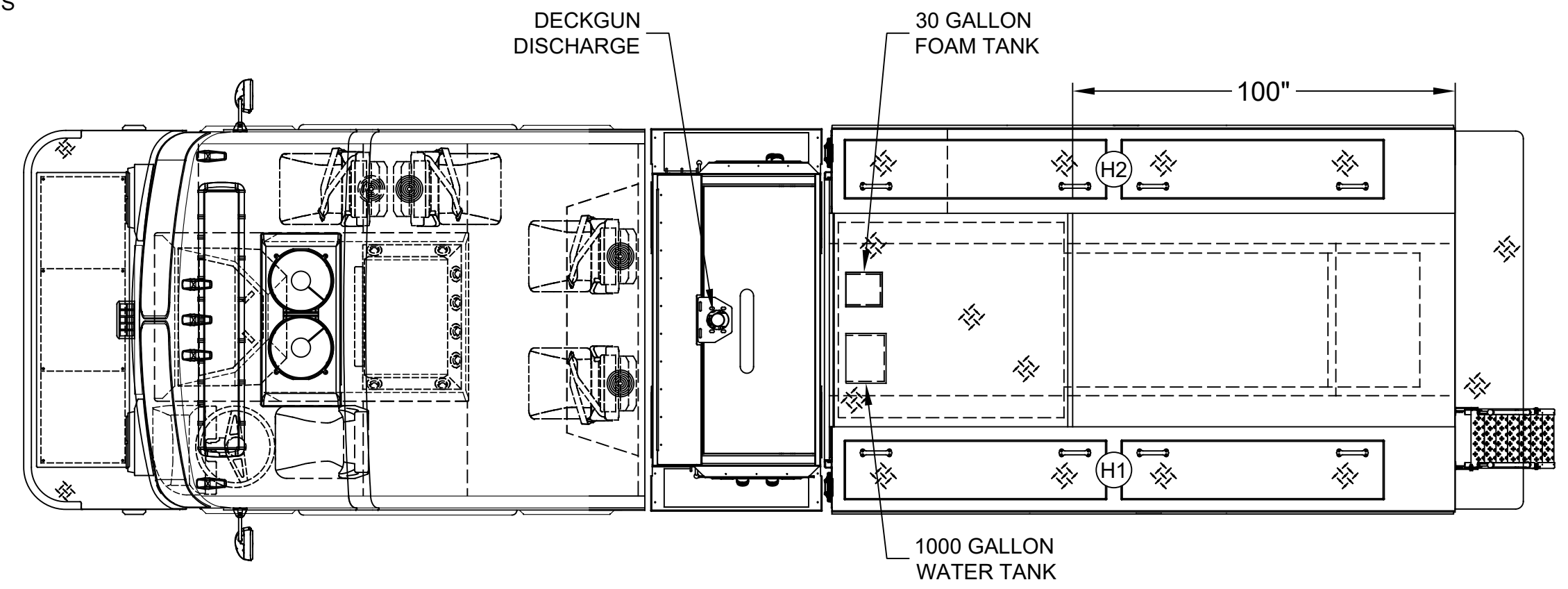
LEFT SIDE COMPARTMENTS				
COMPT	DOORS	OPENING DIMENSIONS	INSIDE DIMENSIONS	VOLUME
L1	ROLL-UP	37.5" w X 55.4" h	43.1" w X 66" h X 27.3" d	40.8 CU. FT.
L2	ROLL-UP	57.5" w X 26.2" h	61.6" w X 36.8" h X 27.3" d	29.8 CU. FT.
L3	ROLL-UP	50.5" w X 55.4" h	53.4" w X 66" h X 27.3" d	50.5 CU. FT.
H1	LIFT-UP	19" w X 55.6" / 19" w X 87" l	161.8" w X 25.6" h X 21.8" d	52.2 CU. FT.

RIGHT SIDE COMPARTMENTS				
COMPT	DOORS	OPENING DIMENSIONS	INSIDE DIMENSIONS	VOLUME
R1	ROLL-UP	37.5" w X 55.4" h	43.1" w X 66" h X 27.3" d	33.9 CU. FT.
R2	ROLL-UP	57.5" w X 26.2" h	61.6" w X 36.8" h X 16.0" d	19.0 CU. FT.
R3	ROLL-UP	50.5" w X 55.4" h	53.4" w X 66" h X 27.3" d	41.9 CU. FT.
H2	LIFT-UP	19" w X 55.6" / 19" w X 87" l	161.8" w X 25.6" h X 21.8" d	52.2 CU. FT.

*R1 & R3 HAVE 61.6" w X 24.5" h X 16.0" d MIDDLE SECTIONS

REAR STEP COMPARTMENT				
COMPT	DOORS	OPENING DIMENSIONS	INSIDE DIMENSIONS	VOLUME
A1	ROLL-UP	37.5" w X 30.8" h	40" h X 40" w X 31" d	28.7 CU. FT.

TOTAL: 349.0 CU.FT.



DIMENSIONS SHOWN ON THIS DRAWING ARE APPROXIMATE AND ARE SUBJECT TO MINOR DEVIATIONS DURING CONSTRUCTION.
 IN THE EVENT OF A DISCREPANCY BETWEEN THE SUTPHEN SPECIFICATIONS AND DRAWING, THE SUTPHEN SPECIFICATIONS SHALL PREVAIL.
 DRAWING IS FOR REFERENCE ONLY. SOME ITEMS PROPOSED MAY NOT BE SHOWN OR NOTED.

CUSTOMER APPROVAL

NAME: _____
 TITLE: _____
 DATE: _____

REV.	DESCRIPTION	BY	DATE

DRAWN BY:
 J. HOWELL
 DATE:
 03/14/19
 MFG. FACILITY:
 DUBLIN

SUTPHEN
 PRAIRIE TWP FIRE DEPARTMENT
 COLUMBUS, OH
 CUSTOM PUMPER - S6
 DWG. NO.: PRAIRIE TWP, OH (2019 S6).DWG