

LEFT SIDE COMPARTMENTS				
COMPT	DOORS	OPENING DIMENSIONS	INSIDE DIMENSIONS	VOLUME
L1	SINGLE	33.5" w X 57.7" h	43.1" w X 66" h X 27.3" d	40.8 CU. FT.
L2	LIFT-UP	55" w X 31.9" h	61.6" w X 36.8" h X 27.3" d	29.8 CU. FT.
L3	DOUBLE	48.5" w X 58.4" h	53.4" w X 66" h X 27.3" d	49.6 CU. FT.

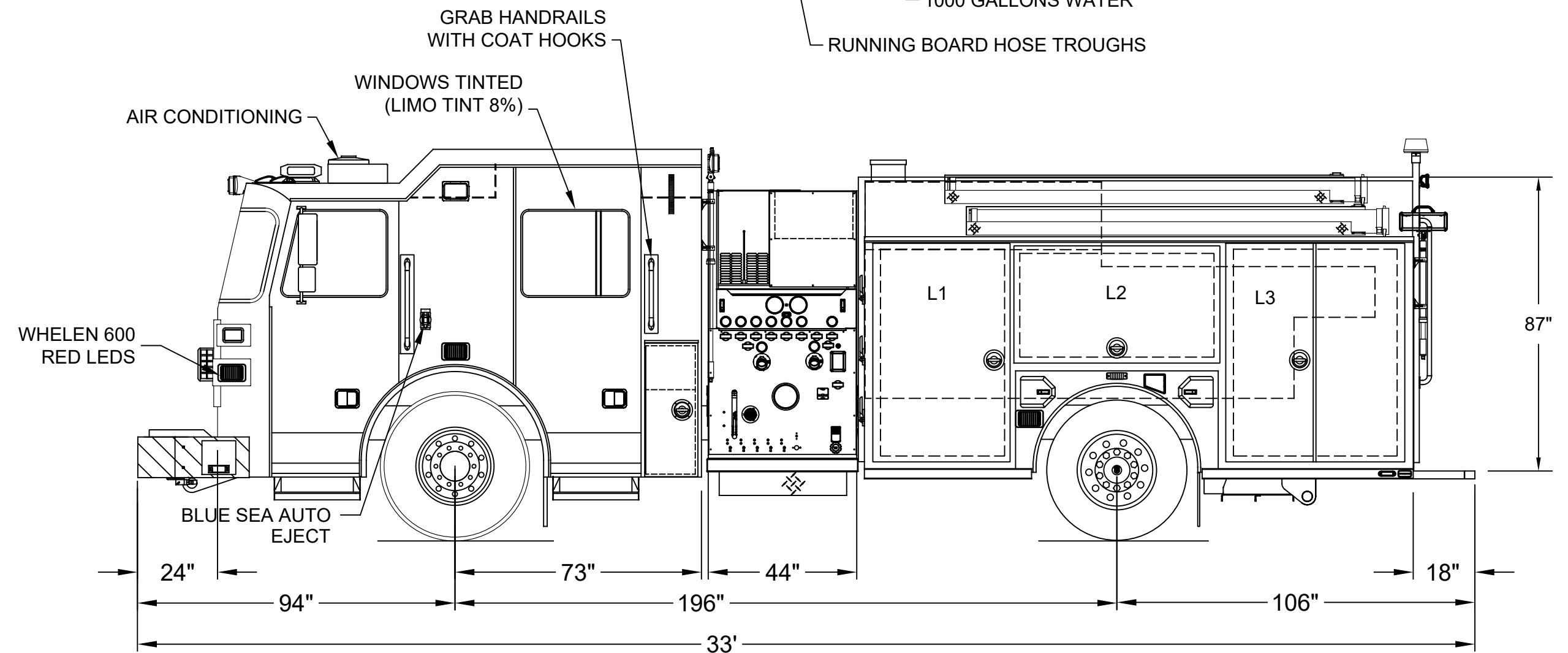
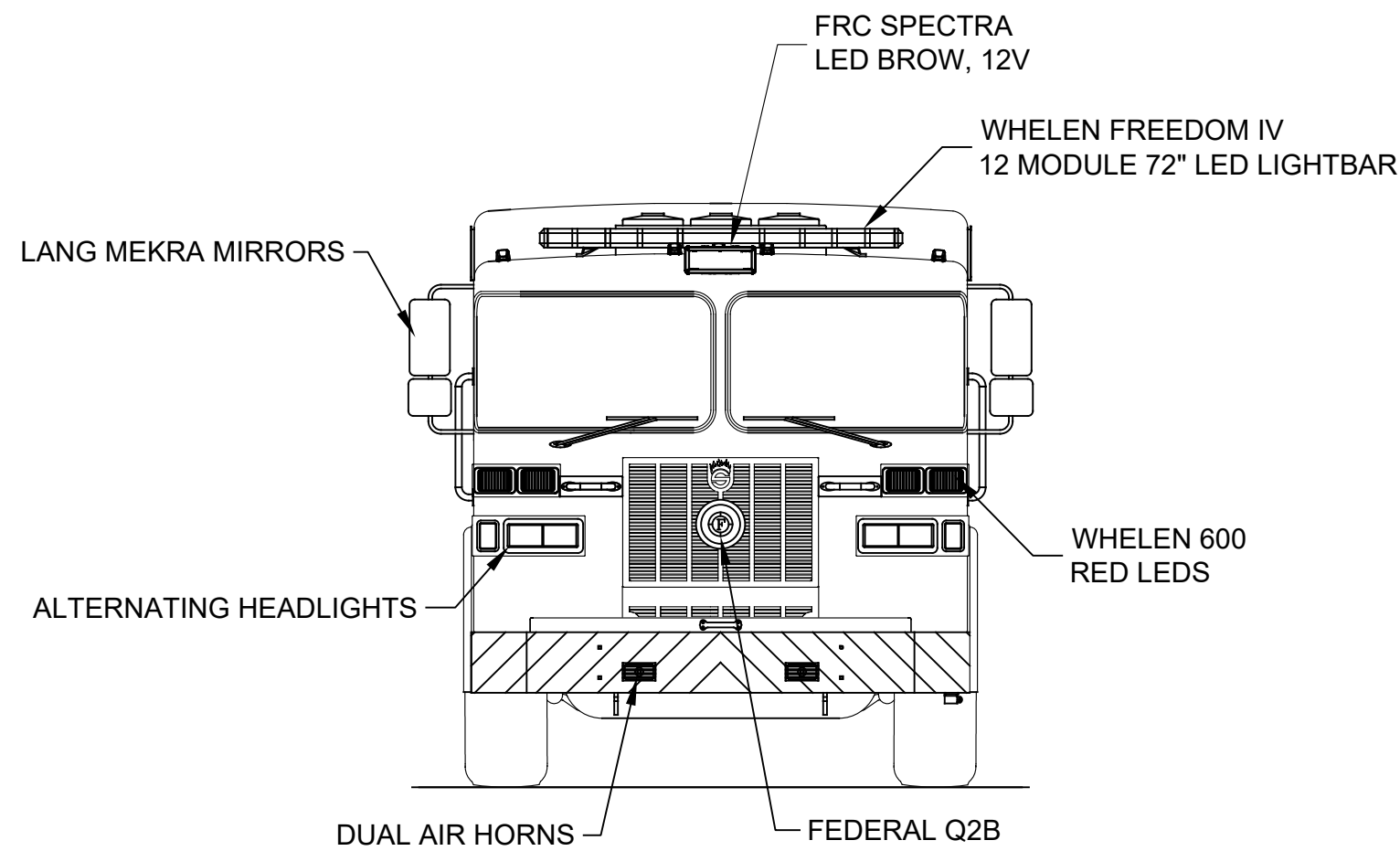
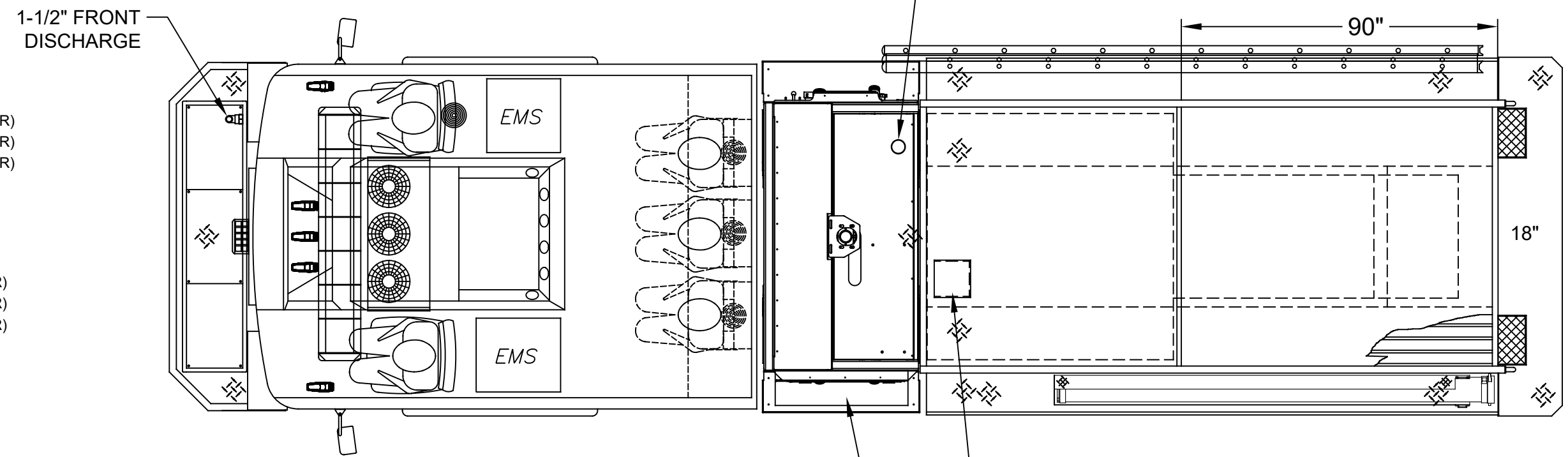
(10" h X 10.5" d UPPER)  
 (10" h X 10.5" d UPPER)  
 (10" h X 10.5" d UPPER)

RIGHT SIDE COMPARTMENTS				
COMPT	DOORS	OPENING DIMENSIONS	INSIDE DIMENSIONS	VOLUME
R1	SINGLE	33.5" w X 52.4" h	43.1" w X 60" h X 27.3" d	39.2 CU. FT.
R2	LIFT-UP	55" w X 25.9" h	61.6" w X 30.8" h X 27.3" d	27.6 CU. FT.
R3	DOUBLE	48.5" w X 52.4" h	53.4" w X 60" h X 27.3" d	47.7 CU. FT.

(4" h X 10.5" d UPPER)  
 (4" h X 10.5" d UPPER)  
 (4" h X 10.5" d UPPER)

REAR STEP COMPARTMENT				
COMPT	DOORS	OPENING DIMENSIONS	INSIDE DIMENSIONS	VOLUME
A1	DOUBLE	37" w X 32.1" h	40" h X 40" w X 31" d	28.7 CU. FT.

TOTAL: 263.4 CU.FT.



DIMENSIONS SHOWN ON THIS DRAWING ARE APPROXIMATE AND ARE SUBJECT TO MINOR DEVIATIONS DURING CONSTRUCTION.  
 IN THE EVENT OF A DISCREPANCY BETWEEN THE SUTPHEN SPECIFICATIONS AND DRAWING, THE SUTPHEN SPECIFICATIONS SHALL PREVAIL.  
 DRAWING IS FOR REFERENCE ONLY. SOME ITEMS PROPOSED MAY NOT BE SHOWN OR NOTED.

CUSTOMER APPROVAL

NAME: \_\_\_\_\_  
 TITLE: \_\_\_\_\_  
 DATE: \_\_\_\_\_

REV.	DESCRIPTION	BY	DATE

DRAWN BY:  
 J.HOWELL  
 DATE:  
 11/16/18  
 MFG. FACILITY:  
 DUBLIN

**SUTPHEN**  
 NORWICH TOWNSHIP FIRE DEPARTMENT  
 HILLIARD, OH  
 CUSTOM PUMPER - S4 BODY  
 DWG. NO.: NORWICH TWP, OH (2018 S4).DWG