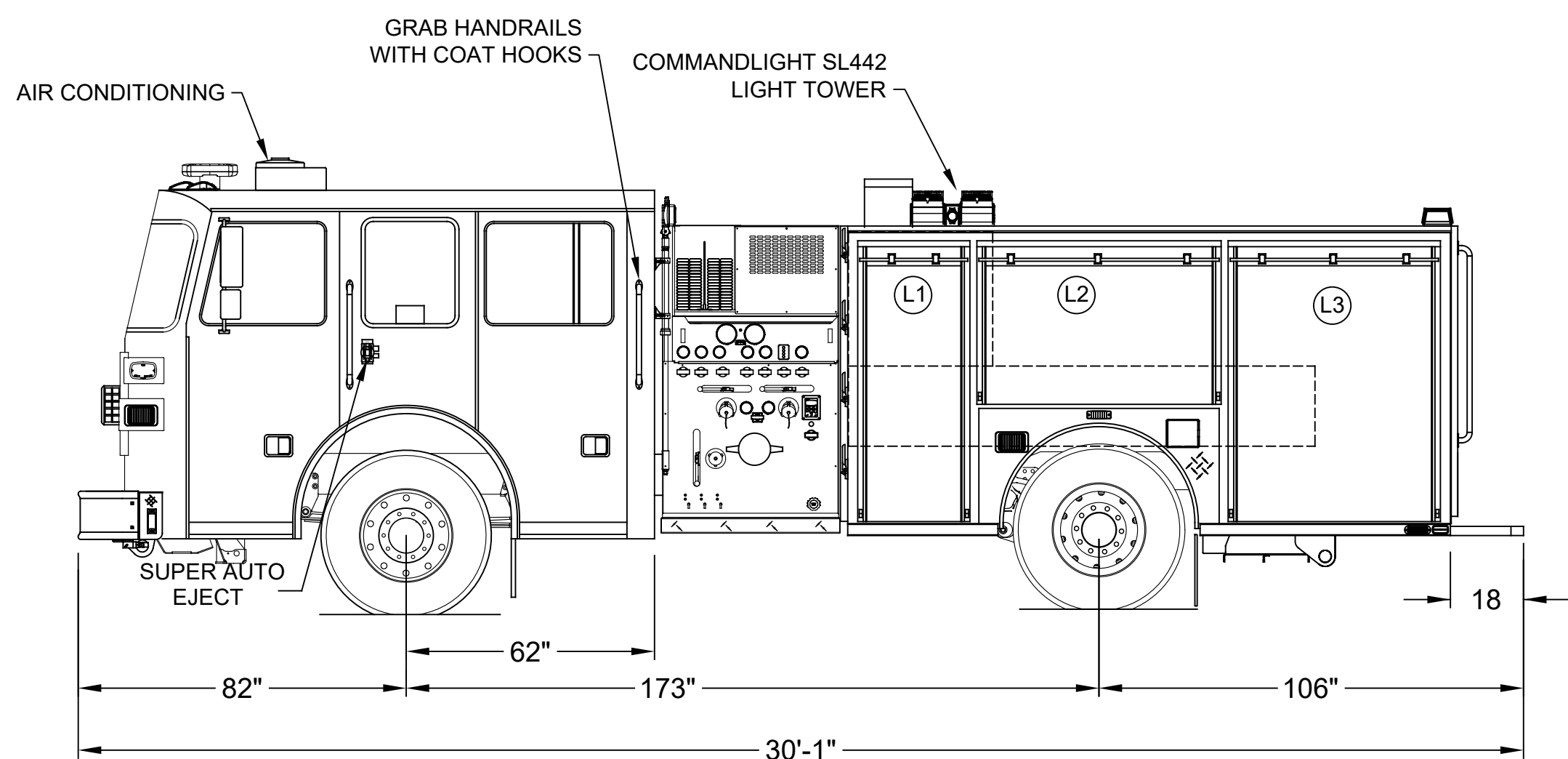
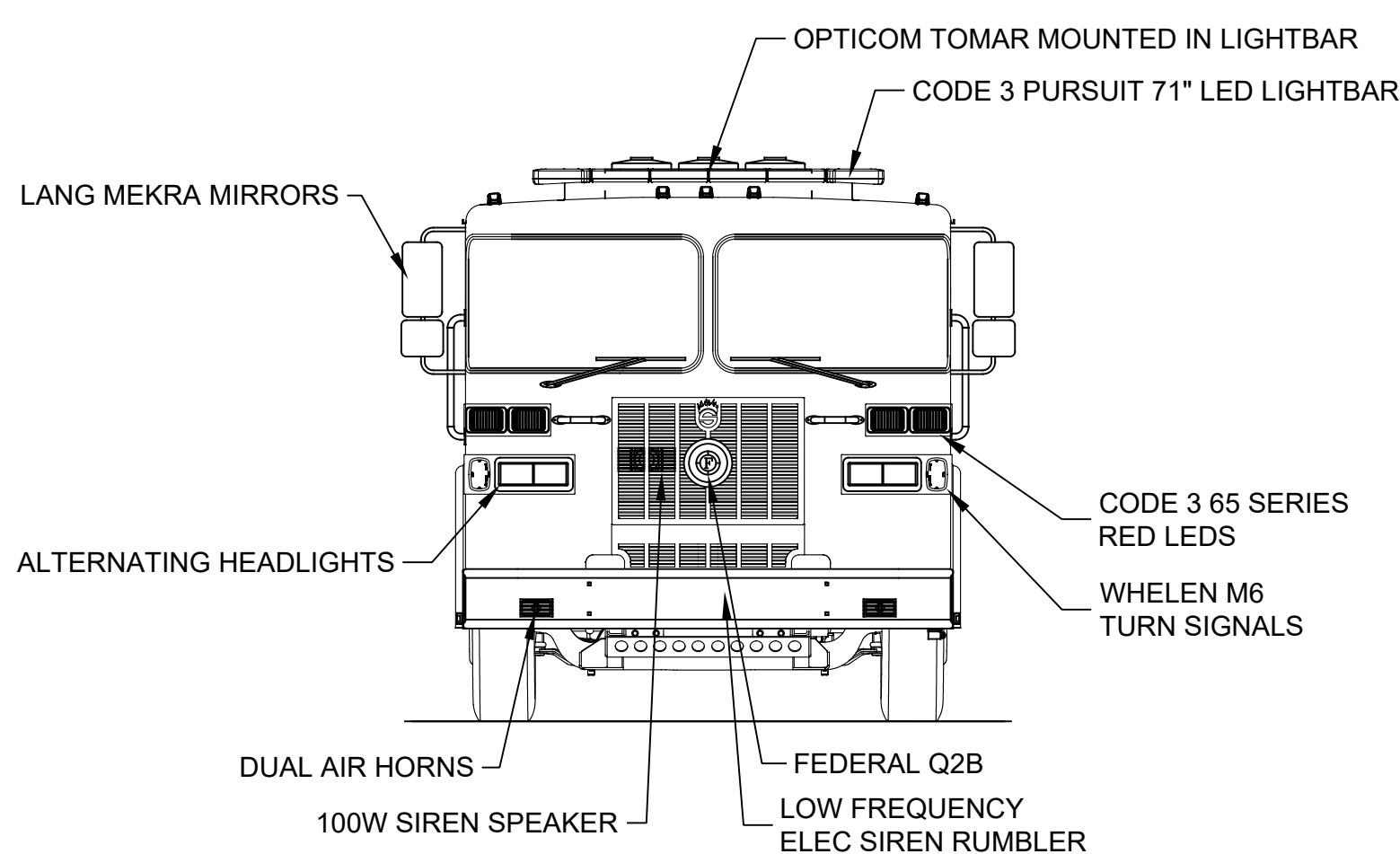
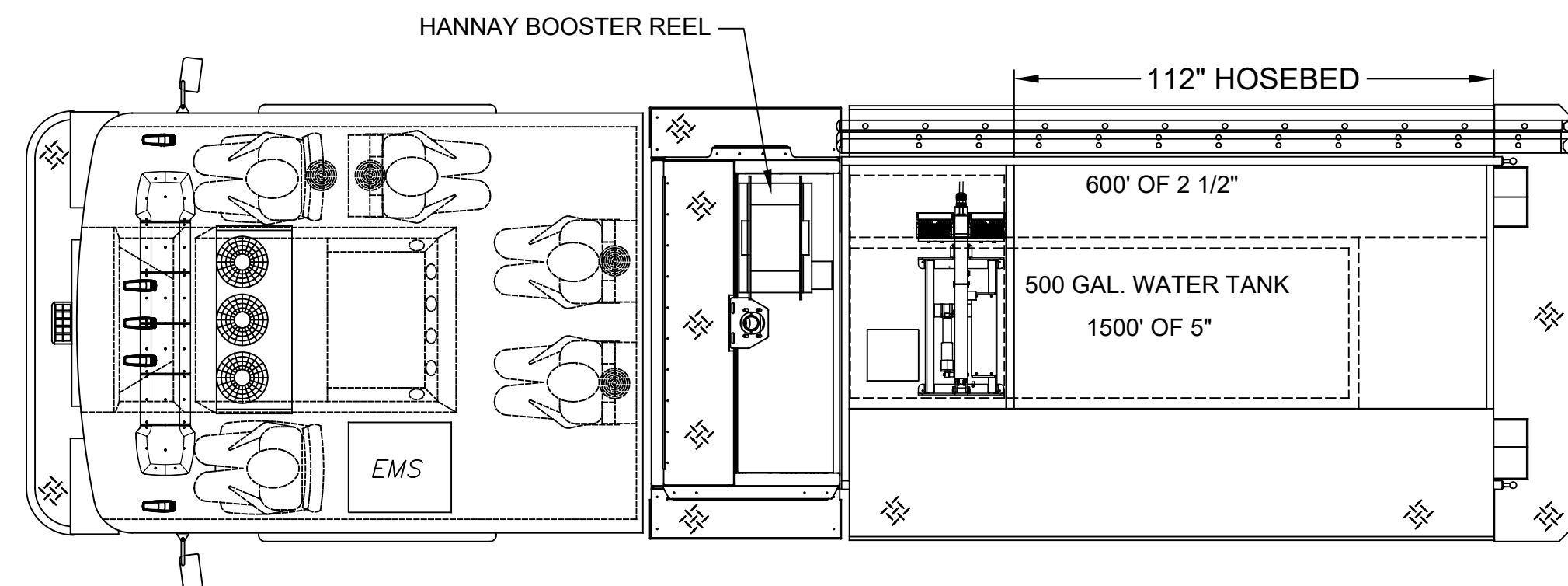


LEFT SIDE COMPARTMENTS				
COMPT	DOORS	OPENING DIMENSIONS	INSIDE DIMENSIONS	VOLUME
L1	ROLL-UP	25.5" w X 55.4" h	31.1" w X 72" h X 27.3" d	35.4 CU. FT.
L2	ROLL-UP	57.5" w X 26.2" h	61.6" w X 42.8" h X 27.3" d	41.6 CU. FT.
L3	ROLL-UP	50.5" w X 52.4" h	53.4" w X 72" h X 27.3" d	60.8 CU. FT.

RIGHT SIDE COMPARTMENTS				
COMPT	DOORS	OPENING DIMENSIONS	INSIDE DIMENSIONS	VOLUME
R1	ROLL-UP	25.5" w X 49.4" h	31.1" w X 40" h X 27.3" d	19.7 CU. FT.
R2	DROP DOWN	57" w X 7.3" h	59" w X 8.5" h X 28.5" d	8.2 CU. FT.
R3	ROLL-UP	50.5" w X 29.4" h	53.4" w X 40" h X 27.3" d	33.8 CU. FT.

REAR STEP COMPARTMENT				
COMPT	DOORS	OPENING DIMENSIONS	INSIDE DIMENSIONS	VOLUME
A1	ROLL-UP	37.5" w X 30.8" h	40" h X 40" w X 31" d	28.7 CU. FT.

TOTAL: 228.1 CU.FT.



DIMENSIONS SHOWN ON THIS DRAWING ARE APPROXIMATE AND ARE SUBJECT TO MINOR DEVIATIONS DURING CONSTRUCTION.

IN THE EVENT OF A DISCREPANCY BETWEEN THE SUTPHEN SPECIFICATIONS AND DRAWING, THE SUTPHEN SPECIFICATIONS SHALL PREVAIL.

DRAWING IS FOR REFERENCE ONLY. SOME ITEMS PROPOSED MAY NOT BE SHOWN OR NOTED.

CUSTOMER APPROVAL

NAME: _____

TITLE: _____

DATE: _____

REV.	DESCRIPTION	BY	DATE
A	ADDED LIGHT TOWER TO DRAWING	JDH	01/30/18

DRAWN BY:
J.HOWELL

DATE:
01/25/18

MFG. FACILITY:
DUBLIN

MIDDLETOWN DIVISION OF FIRE
MIDDLETOWN, OH

CUSTOM PUMPER - S1 BODY
MIDDLETOWN, OH (2018 S1).DWG