

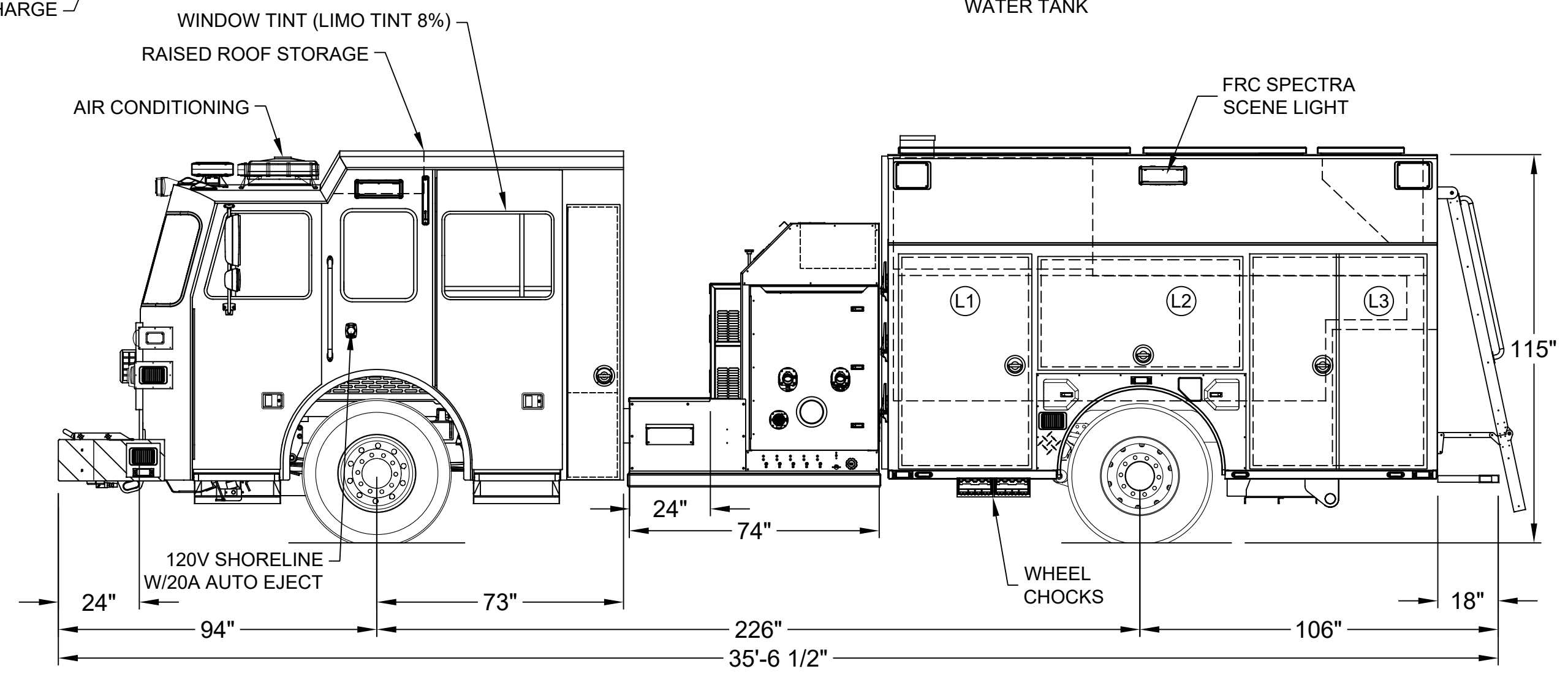
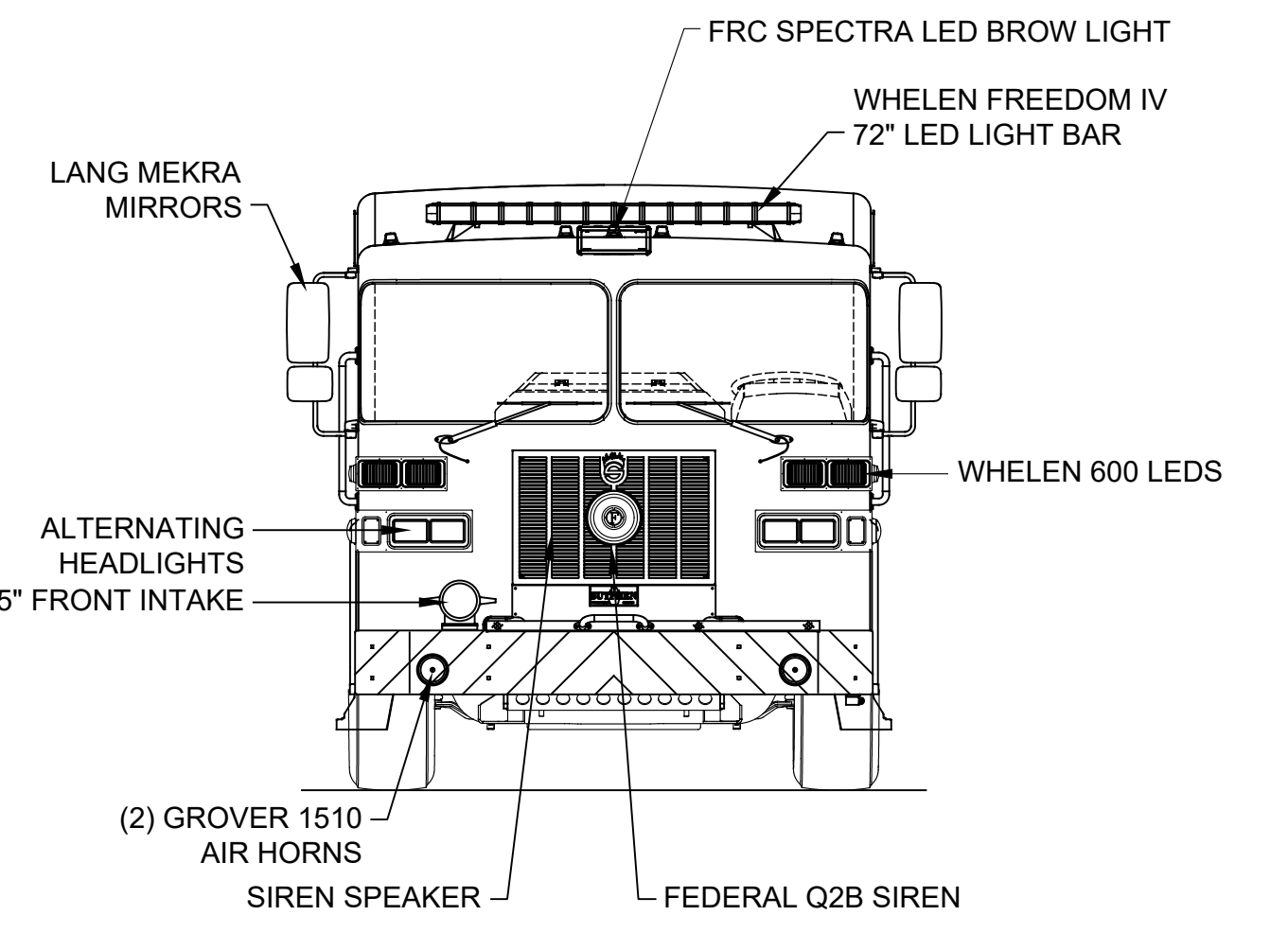
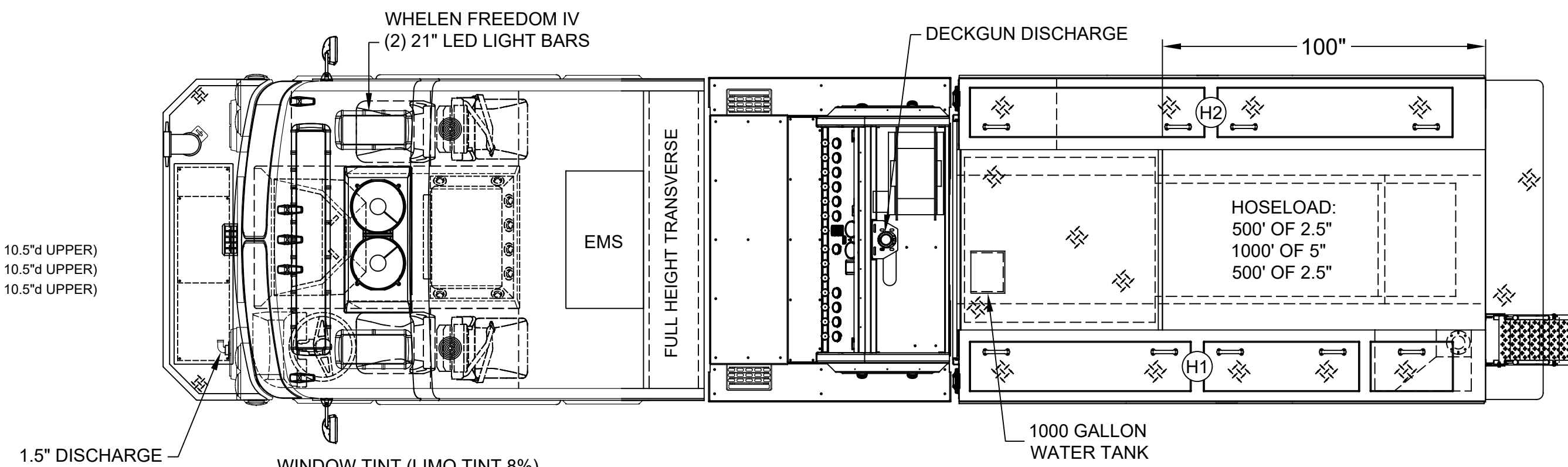
LEFT SIDE COMPARTMENTS				
COMPT	DOORS	OPENING DIMENSIONS	INSIDE DIMENSIONS	VOLUME
L1	SINGLE	35.5" w X 58.4" h	43.1" w X 66" h X 27.3" d	40.8 CU. FT.
L2	LIFT-UP	55" w X 31.9" h	61.6" w X 36.8" h X 27.3" d	29.8 CU. FT.
L3	DOUBLE	48.5" w X 58.4" h	52.4" w X 66" h X 27.3" d	49.6 CU. FT.
H1	LIFT-UP	19" w X 55.6" / 19" w X 87" l	161.8" w X 25.6" h X 21.8" d	52.2 CU. FT.

RIGHT SIDE COMPARTMENTS				
COMPT	DOORS	OPENING DIMENSIONS	INSIDE DIMENSIONS	VOLUME
R1	SINGLE	35.5" w X 58.4" h	43.1" w X 66" h X 27.3" d	33.9 CU. FT.
R2	LIFT-UP	55" w X 31.9" h	61.6" w X 36.8" h X 16.0" d	19.0 CU. FT.
R3	DOUBLE	48.5" w X 58.4" h	52.4" w X 66" h X 27.3" d	41.2 CU. FT.
H2	LIFT-UP	19" w X 55.6" / 19" w X 87" l	161.8" w X 25.6" h X 21.8" d	52.2 CU. FT.

\*R1 & R3 HAVE 61.6" w X 24.5" h X 16.0" d MIDDLE SECTIONS

REAR STEP COMPARTMENT				
COMPT	DOORS	OPENING DIMENSIONS	INSIDE DIMENSIONS	VOLUME
A1	DOUBLE	37" w X 32.1" h	40" h X 40" w X 31" d	28.7 CU. FT.

TOTAL: 347.4 CU.FT.



DIMENSIONS SHOWN ON THIS DRAWING ARE APPROXIMATE AND ARE SUBJECT TO MINOR DEVIATIONS DURING CONSTRUCTION.  
IN THE EVENT OF A DISCREPANCY BETWEEN THE SUTPHEN SPECIFICATIONS AND DRAWING, THE SUTPHEN SPECIFICATIONS SHALL PREVAIL.  
DRAWING IS FOR REFERENCE ONLY. SOME ITEMS PROPOSED MAY NOT BE SHOWN OR NOTED.

CUSTOMER APPROVAL

NAME: \_\_\_\_\_  
TITLE: \_\_\_\_\_  
DATE: \_\_\_\_\_

REV.	DESCRIPTION	BY	DATE
B	UPDATED DRAWING PER CUSTOMER CHANGES	JDH	09/03/19
A	UPDATED DRAWING PER CUSTOMER CHANGES	JDH	07/23/19

DRAWN BY:  
J.HOWELL  
DATE:  
06/19/19  
MFG. FACILITY:  
DUBLIN

**SUTPHEN**  
LIBERTY TOWNSHIP FIRE DEPARTMENT  
LIBERTY TOWNSHIP, OH  
CUSTOM PUMPER - S6  
DWG. NO.: LIBERTY TOWNSHIP, OH (2019 S6) 2.DWG