

LEFT SIDE COMPARTMENTATION			
COMPT	DOORS	DIMENSIONS	VOLUME
L1	ROLL-UP	40"W X 51 1/2"H X 26"D	28 CU. FT.
L2	ROLL-UP	59"W X 21 1/2"H X 14 1/2"D	11 CU. FT.
L3	ROLL-UP	51 1/2"W X 51 1/2"H X 26"D	40 CU. FT.

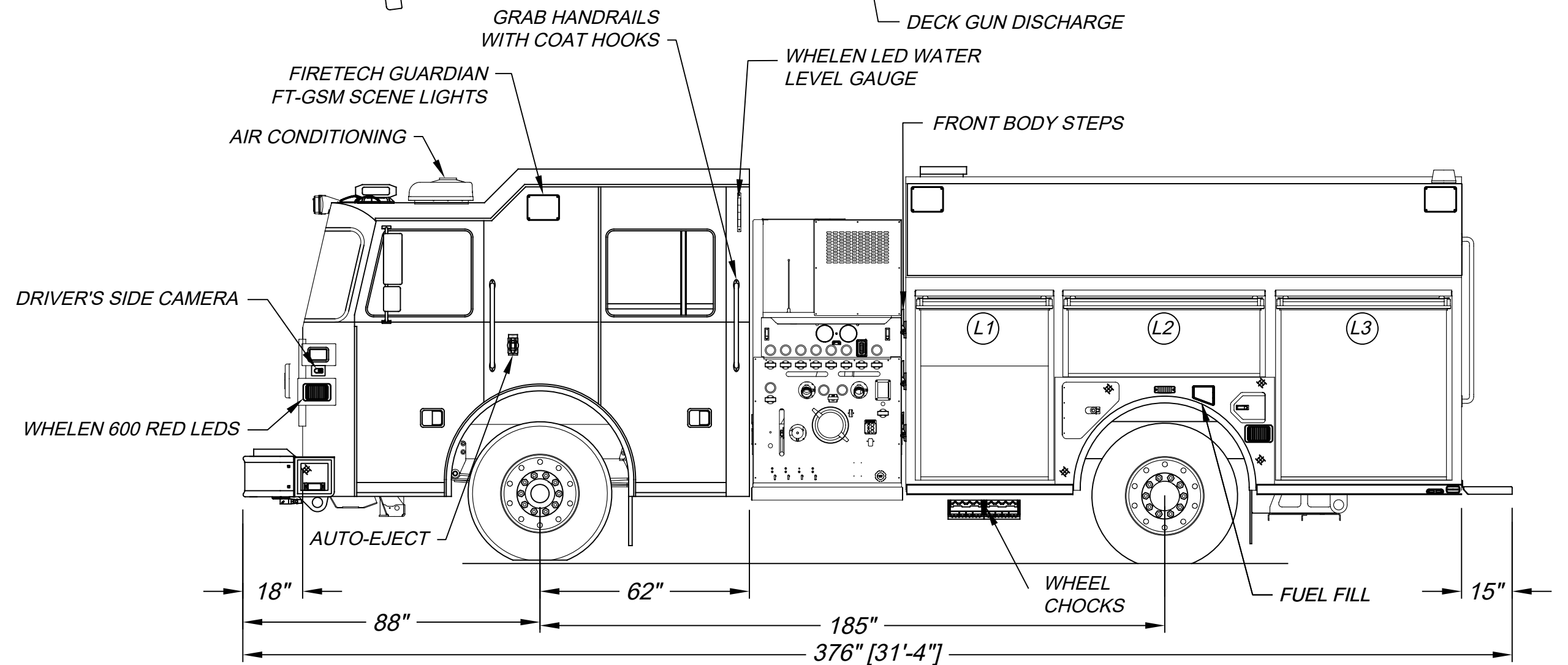
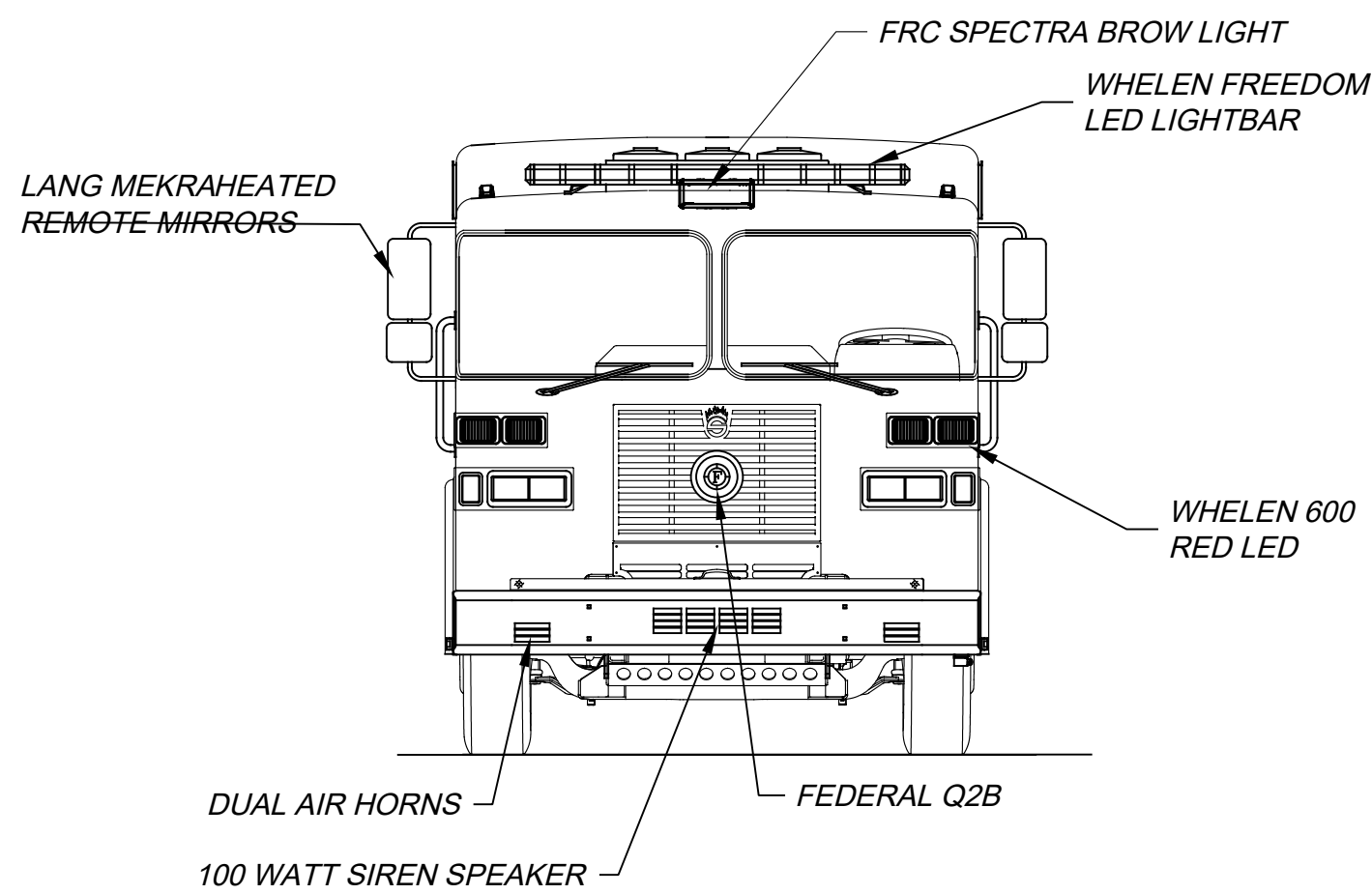
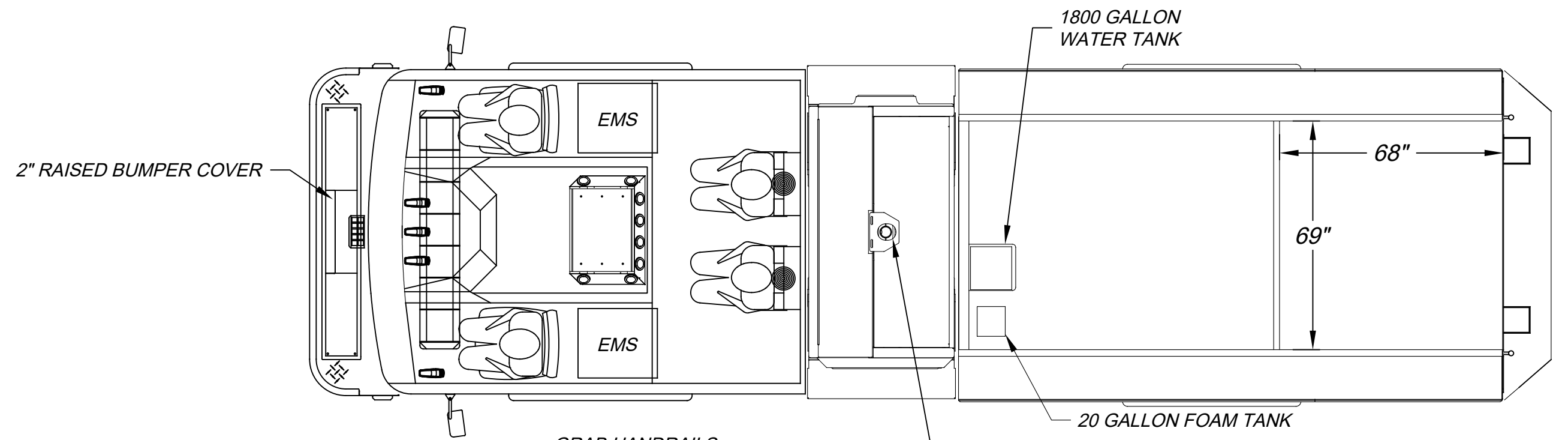
14 1/2" DEEP, UPPER  
 FULL HEIGHT, FULL DEPTH

RIGHT SIDE COMPARTMENTATION			
COMPT	DOORS	DIMENSIONS	VOLUME
R1	ROLL-UP	40"W X 51 1/2"H X 26"D	28 CU. FT.
R2	ROLL-UP	59"W X 21 1/2"H X 14 1/2"D	11 CU. FT.
R3	ROLL-UP	51 1/2"W X 51 1/2"H X 26"D	40 CU. FT.

14 1/2" DEEP, UPPER  
 FULL HEIGHT, FULL DEPTH

REAR CREW SEAT COMPARTMENT			
COMPT	DOORS	DIMENSIONS	VOLUME
C1	HINGED	47"W X 15"H X 18 1/2"D	8 CU. FT.

TOTAL STORAGE: 166 CU. FT.



DIMENSIONS SHOWN ON THIS DRAWING ARE APPROXIMATE AND ARE SUBJECT TO MINOR DEVIATIONS DURING CONSTRUCTION.

CUSTOMER APPROVAL

NAME: \_\_\_\_\_  
 TITLE: \_\_\_\_\_  
 DATE: \_\_\_\_\_

REV.	DESCRIPTION	BY	DATE
B	UPDATED DRAWING PER CUSTOMER CHANGES	JDH	12/09/19
A	UPDATED DRAWING PER CUSTOMER CHANGES	JDH	11/26/19

DRAWN BY:  
 J.HOWELL  
 DATE:  
 10/23/19  
 MFG. FACILITY:  
 SPRINGFIELD



FRANKLIN TWP. FIRE & EMS  
 BETHAL, OH

PROGRAM 1 CUSTOM PUMPER, G7 BODY  
 DWG. NO.: FRANKLIN TWP, OH (2019 G7).DWG