

| LEFT SIDE COMPARTMENTS |         |                    |   |              |
|------------------------|---------|--------------------|---|--------------|
| COMPT                  | DOORS   | OPENING DIMENSIONS | INSIDE DIMENSIONS                             | VOLUME       |
| L1                     | ROLL-UP | 37" w X 56 7/8" h  | 43" w X 60" h X 27 1/4" d (10 1/2" d upper)   | 30 CU. FT.   |
| L2                     | ROLL-UP | 57" w X 16 5/8" h  | 61 1/2" w X 21 3/4" h X 10 1/2" d             | 8.1 CU. FT.  |
| L3                     | ROLL-UP | 57" w X 16 5/8" h  | 61 1/2" w X 21 3/4" h X 10 1/2" d             | 8.1 CU. FT.  |
| L4                     | ROLL-UP | 37" w X 56 7/8" h  | 40 1/2" w X 60" h X 27 1/4" d (10.5" d upper) | 27.7 CU. FT. |

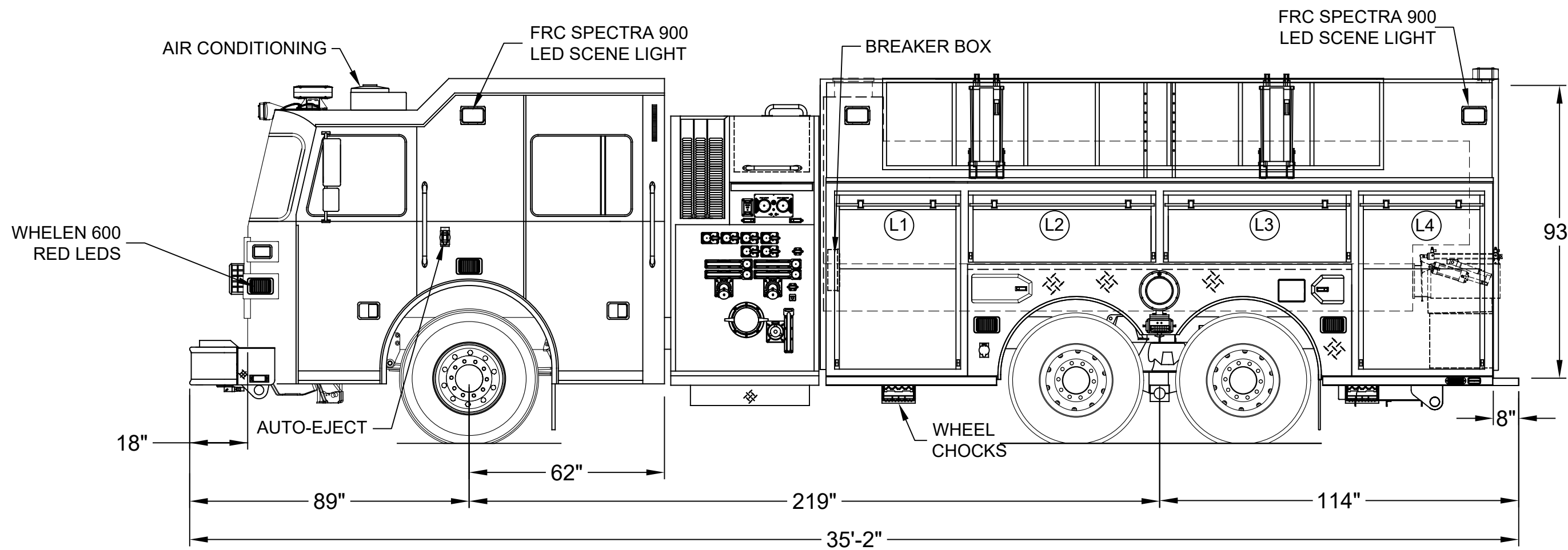
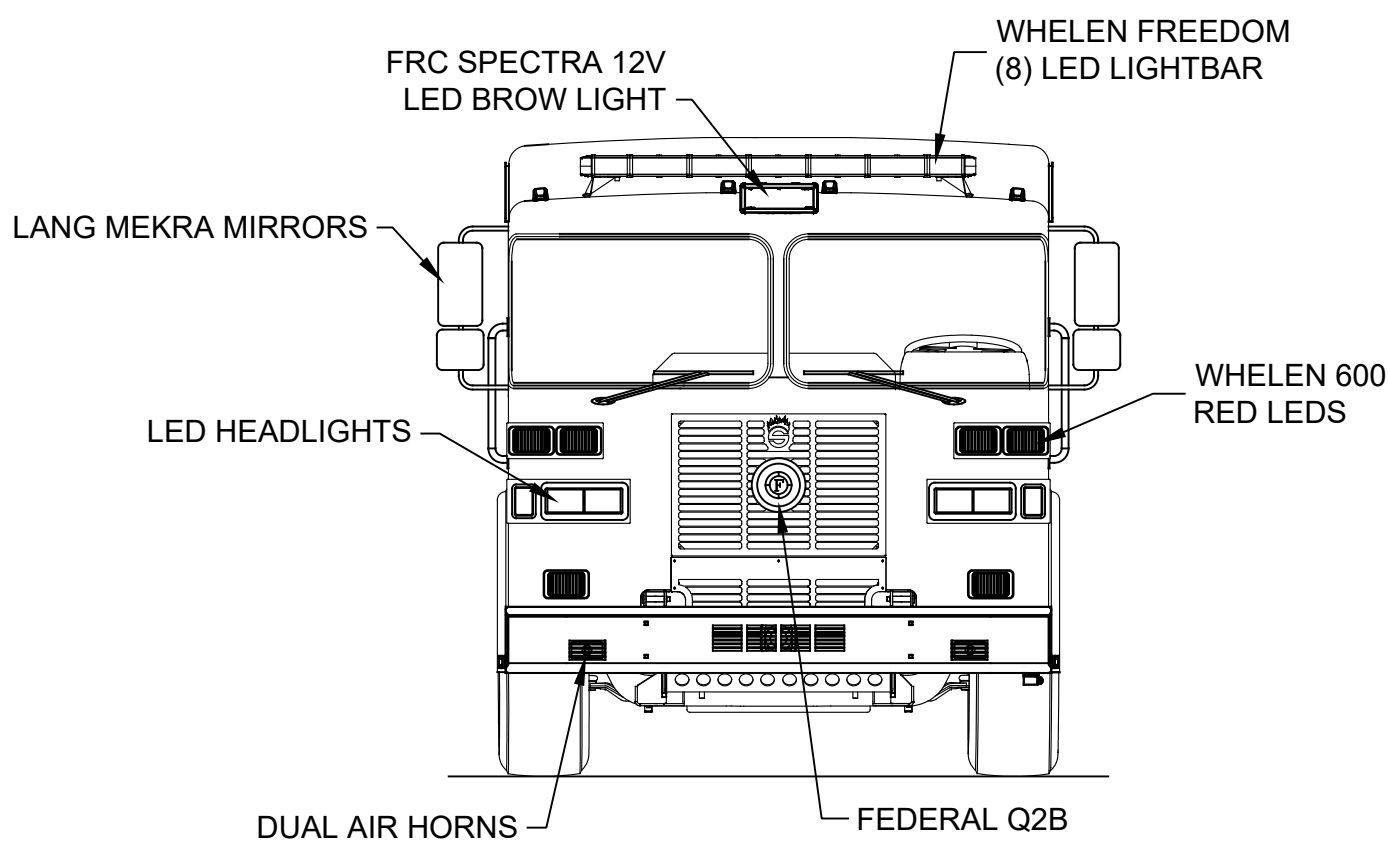
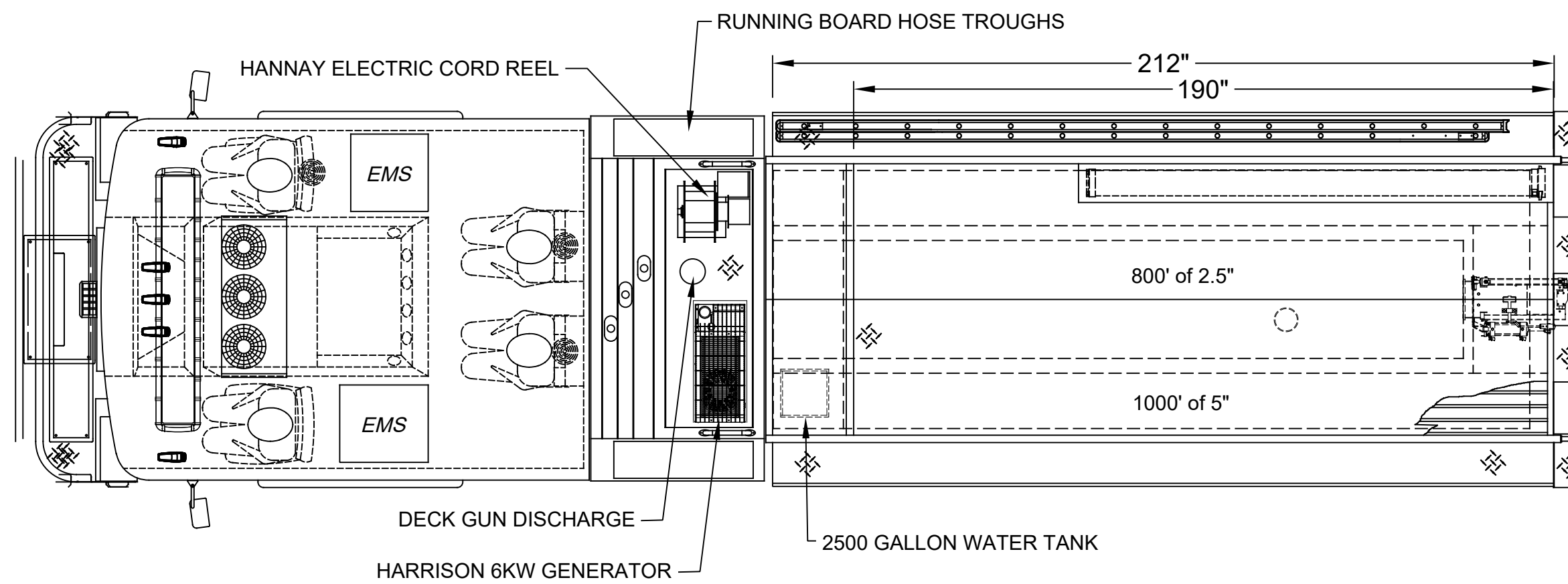
33" h lower compartment area

| RIGHT SIDE COMPARTMENTS |         |                    |   |              |
|-------------------------|---------|--------------------|---|--------------|
| COMPT                   | DOORS   | OPENING DIMENSIONS | INSIDE DIMENSIONS                             | VOLUME       |
| R1                      | ROLL-UP | 37" w X 56 7/8" h  | 43" w X 60" h X 27 1/4" d (10 1/2" d upper)   | 30 CU. FT.   |
| R2                      | ROLL-UP | 57" w X 16 5/8" h  | 61 1/2" w X 21 3/4" h X 10 1/2" d             | 8.1 CU. FT.  |
| R3                      | ROLL-UP | 57" w X 16 5/8" h  | 61 1/2" w X 21 3/4" h X 10 1/2" d             | 8.1 CU. FT.  |
| R4                      | ROLL-UP | 37" w X 56 7/8" h  | 40 1/2" w X 60" h X 27 1/4" d (10.5" d upper) | 27.7 CU. FT. |

33" h lower compartment area

| REAR STEP COMPARTMENT |        |                    |                       |             |
|-----------------------|--------|--------------------|-----------------------|-------------|
| COMPT                 | DOORS  | OPENING DIMENSIONS | INSIDE DIMENSIONS     | VOLUME      |
| A1                    | HINGED | 41" w X 18" h      | 39" w X 18" h X 18" d | 7.3 CU. FT. |

TOTAL: 155.1 CU. FT.



DIMENSIONS SHOWN ON THIS DRAWING ARE APPROXIMATE AND ARE SUBJECT TO MINOR DEVIATIONS DURING CONSTRUCTION.

IN THE EVENT OF A DISCREPANCY BETWEEN THE SUTPHEN SPECIFICATIONS AND DRAWING, THE SUTPHEN SPECIFICATIONS SHALL PREVAIL.

DRAWING IS FOR REFERENCE ONLY. SOME ITEMS PROPOSED MAY NOT BE SHOWN OR NOTED.

**CUSTOMER APPROVAL**

NAME: \_\_\_\_\_

TITLE: \_\_\_\_\_

DATE: \_\_\_\_\_

| REV. | DESCRIPTION                                      | BY  | DATE    |
|------|--|-----|---------|
| C    | UPDATED DRAWING BASED ON CUSTOMER SPECIFICATIONS | JDH | 4/12/17 |
| B    | UPDATED DRAWING BASED ON CUSTOMER SPECIFICATIONS | JDH | 4/03/17 |
| A    | RAISED BODY AND TANK FOR 2500 GAL                | ZCR | 3/14/16 |

THIS PRINT IS PROVIDED ON A RESTRICTED BASIS AND IS NOT TO BE USED IN ANY WAY DETRIMENTAL TO THE INTEREST OF SUTPHEN CORPORATION.

DRAWN BY: Z. RUDY

DATE: 2/10/2016

MFG. FACILITY: DUBLIN

OXFORD FIRE DEPARTMENT  
OXFORD, OH

CUSTOM PUMPER/TANKER - CUSTOM BODY

DWG. NO.: HS-XXXX