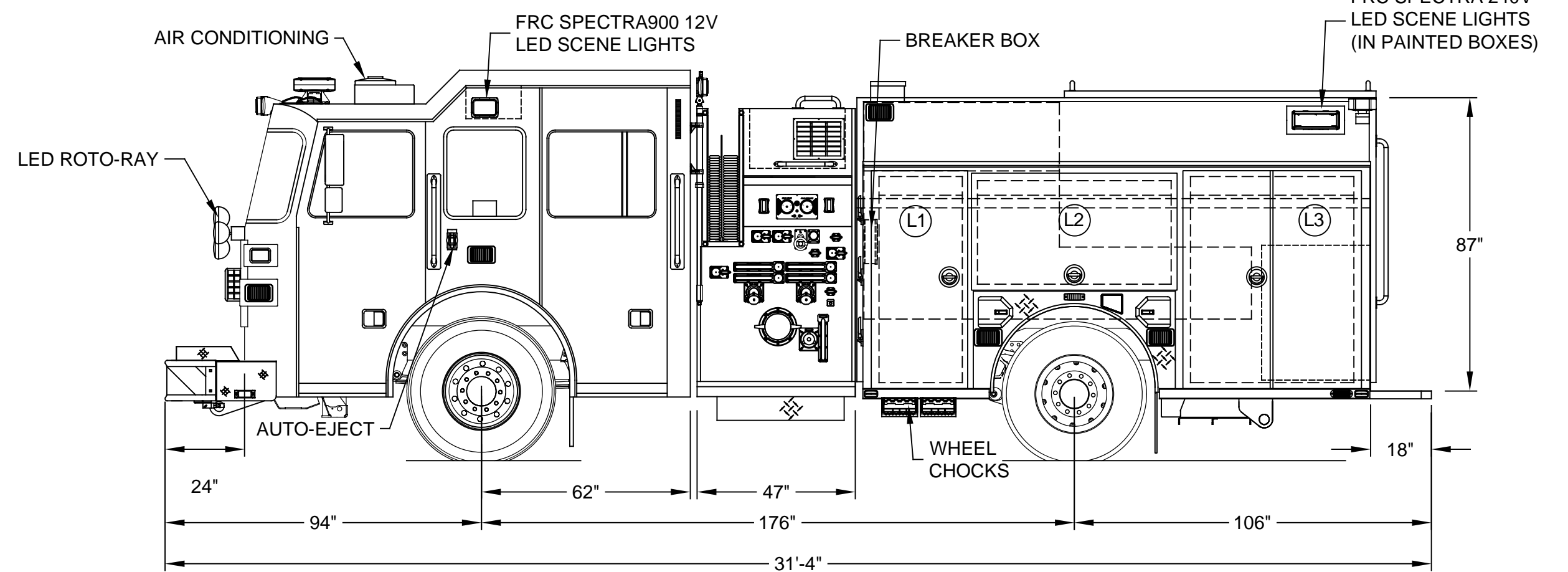
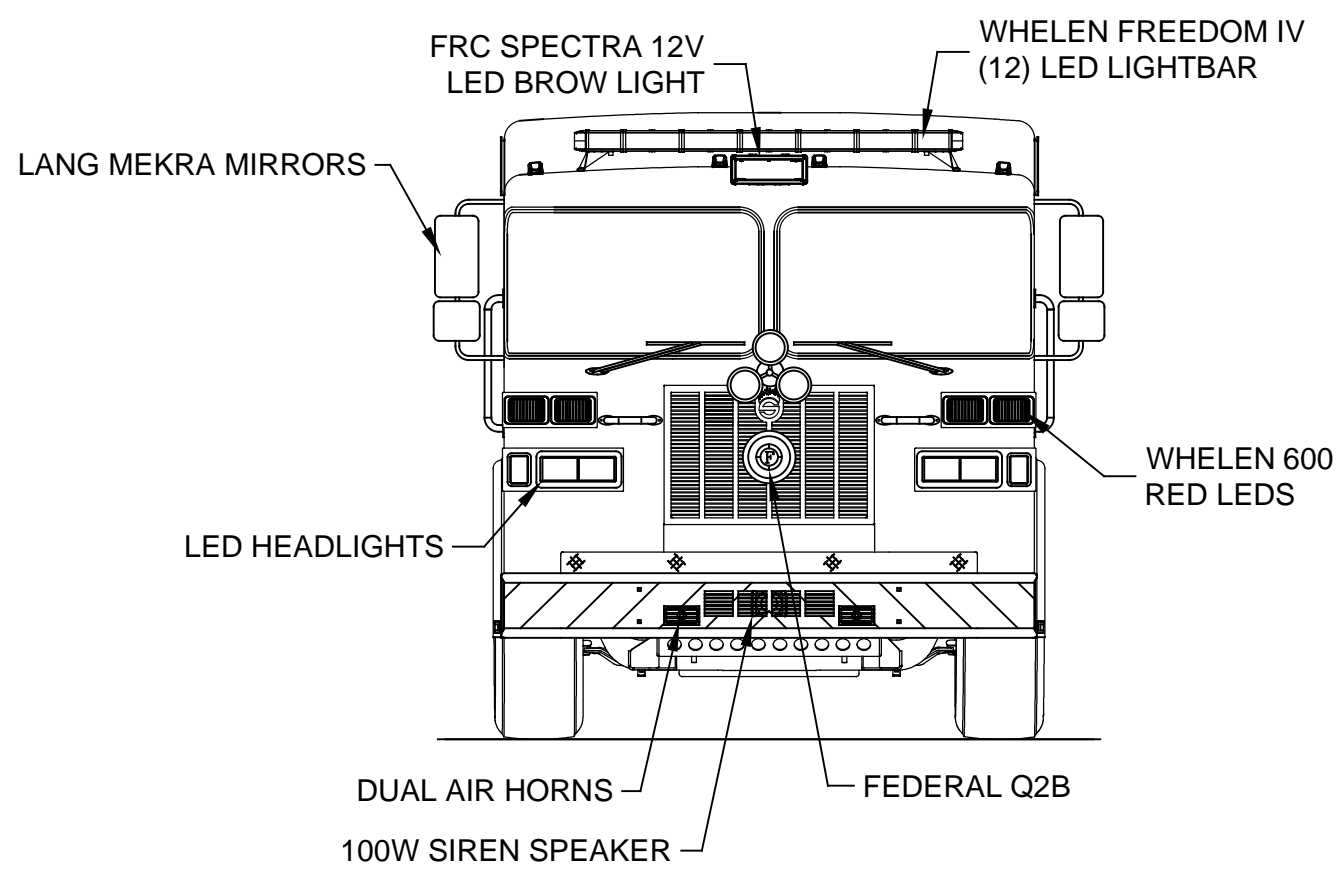


LEFT SIDE COMPARTMENTATION				
COMPT	DOORS	OPENING DIMENSIONS	INSIDE DIMENSIONS	VOLUME
L1	SINGLE	23 1/2\"w X 62 3/4\"h	31 1/2\"w X 66\"h X 27 1/4\"d (10 1/2\"d upper 16\")	29.7 CU. FT.
L2	LIFT-UP	57 1/2\"w X 32 1/4\"h	61 1/2\"w X 36 1/2\"h X 27 1/4\"d (10 1/2\"d upper 16\")	26.5 CU. FT.
L3	DOUBLE	48 1/2\"w X 62 3/4\"h	53 1/2\"w X 66\"h X 27 1/4\"d (10 1/2\"d upper 16\")	50.5 CU. FT.

RIGHT SIDE COMPARTMENTATION				
COMPT	DOORS	OPENING DIMENSIONS	INSIDE DIMENSIONS	VOLUME
R1	SINGLE	23 1/2\"w X 62 3/4\"h	31 1/2\"w X 66\"h X 27 1/4\"d (10 1/2\"d upper 33\")	22.7 CU. FT.
R2	LIFT-UP	57 1/2\"w X 32 1/4\"h	61 1/2\"w X 36 1/2\"h X 10 1/2\"d	13.6 CU. FT.
R3	DOUBLE	48 1/2\"w X 62 3/4\"h	53 1/2\"w X 66\"h X 27 1/4\"d (10 1/2\"d upper 33\")	38.5 CU. FT.

REAR STEP COMPARTMENTS				
COMPT	DOORS	OPENING DIMENSIONS	INSIDE DIMENSIONS	VOLUME
A1	ROLL-UP	37 1/2\"w X 31\"h	40\"h X 40\"w X 30 1/2\"d	28.2 CU. FT.

TOTAL STORAGE: 209.7 CU. FT.



DIMENSIONS SHOWN ON THIS DRAWING ARE APPROXIMATE AND ARE SUBJECT TO MINOR DEVIATIONS DURING CONSTRUCTION.

IN THE EVENT OF A DISCREPANCY BETWEEN THE SUTPHEN SPECIFICATIONS AND DRAWING, THE SUTPHEN SPECIFICATIONS SHALL PREVAIL.

DRAWING IS FOR REFERENCE ONLY. SOME ITEMS PROPOSED MAY NOT BE SHOWN OR NOTED.

**CUSTOMER APPROVAL**

NAME: \_\_\_\_\_

TITLE: \_\_\_\_\_

DATE: \_\_\_\_\_

REV.	DESCRIPTION	BY	DATE
C	CHANGED GENERATOR TO 6KW, DELETED POWER UNIT	CAG	12/15/2016
B	CREW SEATING CONFIG, HANDRAILS ON FRONT OF CAB, OVERHEAD STORAGE, CHANGED PRECONNECT TO REAR DISCHARGE	CAG	12/14/2016
A	MISC. CHANGES PER CUSTOMER REQUEST	CAG	12/1/2016

THIS PRINT IS PROVIDED ON A RESTRICTED BASIS AND IS NOT TO BE USED IN ANY WAY DETRIMENTAL TO THE INTEREST OF SUTPHEN CORPORATION.

DRAWN BY: C. GREEN

DATE: 11/7/2016

MFG. FACILITY: DUBLIN

**SUTPHEN**

WHITEHALL DIVISION OF FIRE  
WHITEHALL, OH

CUSTOM PUMPER - PA-2 BODY  
Whitehall, OH (2016 PA-2)